

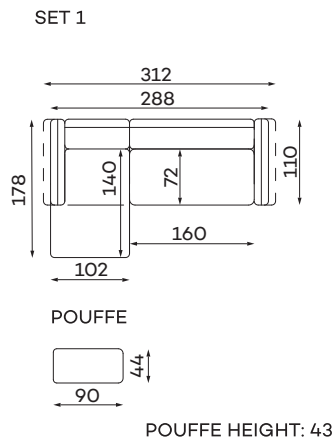


CORNER SET 1, LEFT



Tulia

Tulia is an interesting proposal, which can be a sofa, a smaller corner if we use a chaise longue or a larger one if you additionally incorporate a pouffe. You decide. As usual, we have ensured exceptional comfort – a soft yet resilient seat and a suitably contoured backrest, movable sides and an extra armrest that can be positioned exactly where you need it. And the look? In no way inferior to comfort! The high legs, available in several colours, add lightness to the shape and the fleshy trim adds charm. The advantage is also the interesting wrinkles formed in various places as a result of dragging your hand – the right choice of fabric will allow there to be more or less of them, depending on your preference.



All corners and modules can be ordered with either a left or right-hand layout.
All figures shows the left-hand side.

Size tolerance for upholstered furniture +/- 4 cm.
All dimensions and configurations of furniture can be found at www.befame.com