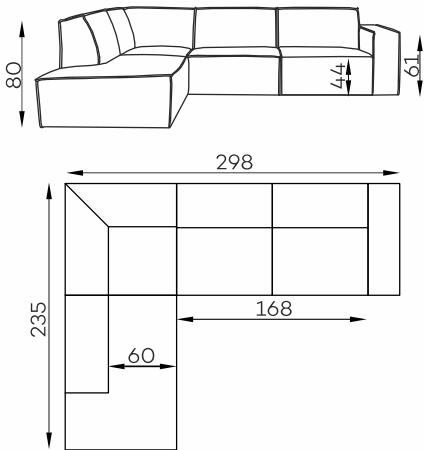




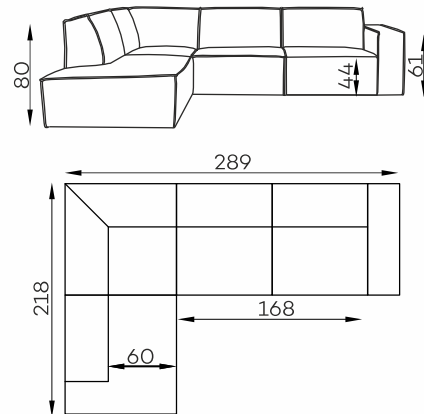
ESPADA

Technical Sheet

Set 1



Set 2



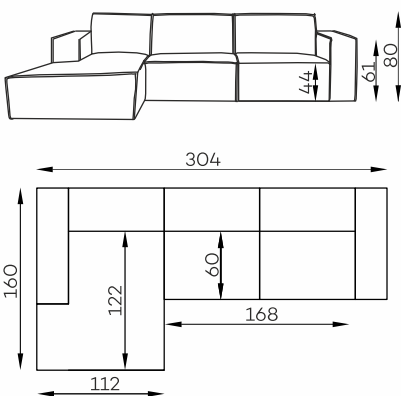
Collies

Dimensions tolerance of upholstered furniture +/- 4 cm.

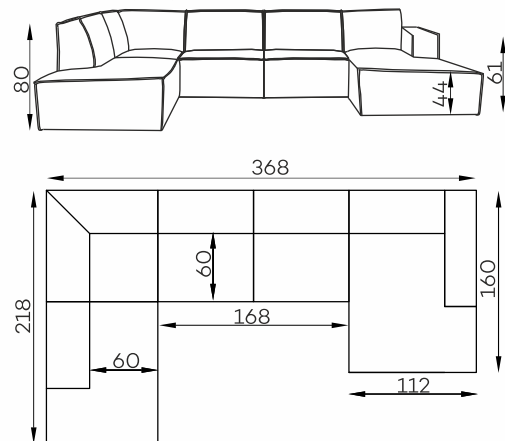
Weight	kg net	kg groos	m3	L	S	H	FULL TRUCK 120	FULL TRUCK 90	40HC'
collie 1	26	28,5	0,72	82	100	88	27	20	19
collie 2	41	44	0,94	82	100	115			
collie 3	33,5	36	0,85	82	100	103			
collie 4	34	36,5	1,13	82	100	138			

Weight	kg net	kg groos	m3	L	S	H	FULL TRUCK 120	FULL TRUCK 90	40HC'
collie 1	58,5	61	1,68	83	100	202	28	21	19
collie 2	59	62	1,84	83	100	222			

Set 3



Set 4



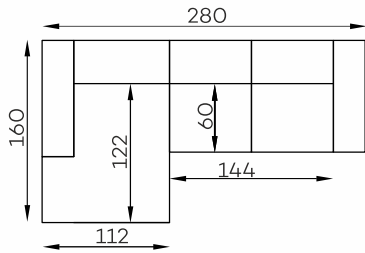
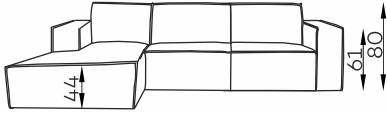
Collies

Collies

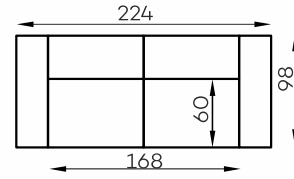
Weight	kg net	kg groos	m3	L	S	H	FULL TRUCK 120	FULL TRUCK 90	40HC'
collie 1	60	63	1,68	83	100	202	30	23	21
collie 2	61	64	1,6	83	115	168			

Weight	kg net	kg groos	m3	L	S	H	FULL TRUCK 120	FULL TRUCK 90	40HC'
collie 1	44	47	1,45	83	100	175	25	19	17
collie 2	59	62	1,84	83	100	222			
collie 3	61	64	0,6	83	115	168			

Set 5



Espada sofa 2,5 -seater



Collies

Weight	kg net	kg groos	m3	L	S	H	FULL TRUCK 120	FULL TRUCK 90	40HC'
collie 1	61	64	1,6	83	115	168	32	24	22
collie 2	52,5	55,5	1,51	83	100	182			

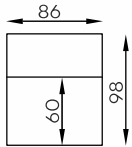
Collies

Weight	kg net	kg groos	m3	L	S	H	FULL TRUCK 120	FULL TRUCK 90	40HC'
collie 1	74	77	1,89	83	100	288	52	40	38

Dimensions tolerance of upholstered furniture +/- 4 cm.

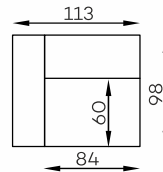
Modules

1-seater



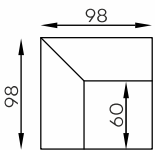
Weight	kg net	kg groos	m3	L	S	H	FULL TRUCK 120	FULL TRUCK 90	40HC'
collie 1	26	28,5	0,72	82	100	88	138	105	100

1-seater with armrest



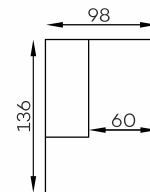
Weight	kg net	kg groos	m3	L	S	H	FULL TRUCK 120	FULL TRUCK 90	40HC'
collie 1	41	44	0,94	82	100	115	106	80	76

corner element



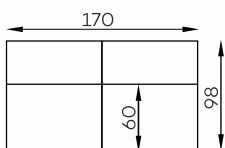
Weight	kg net	kg groos	m3	L	S	H	FULL TRUCK 120	FULL TRUCK 90	40HC'
collie 1	33,5	36	0,85	82	100	103	117	89	84

ottoman



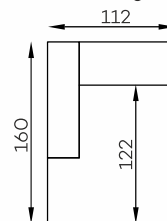
Weight	kg net	kg groos	m3	L	S	H	FULL TRUCK 120	FULL TRUCK 90	40HC'
collie 1	34	36,5	1,13	82	100	138	88	67	63

2,5-seater



Weight	kg net	kg groos	m3	L	S	H	FULL TRUCK 120	FULL TRUCK 90	40HC'
collie 1	44	47	1,45	83	100	175	68	52	49

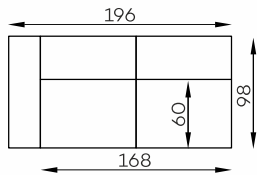
chaiselounge M



Weight	kg net	kg groos	m3	L	S	H	FULL TRUCK 120	FULL TRUCK 90	40HC'
collie 1	61	64	1,6	83	115	168	62	47	45

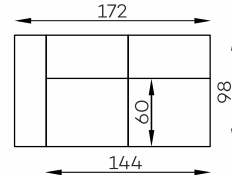
Dimensions tolerance of upholstered furniture +/- 4 cm.

2,5-seater with armrest



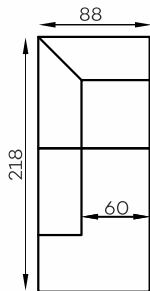
Weight	kg net	kg groos	m3	L	S	H	FULL TRUCK 120	FULL TRUCK 90	40HC'
collie 1	58,5	61	1,68	83	100	202	59	45	42

2-seater with armrest



Weight	kg net	kg groos	m3	L	S	H	FULL TRUCK 120	FULL TRUCK 90	40HC'
collie 1	52,5	55,5	1,51	83	100	182	66	50	47

chaiselounge L



Weight	kg net	kg groos	m3	L	S	H	FULL TRUCK 120	FULL TRUCK 90	40HC'
collie 1	59	62	1,84	83	100	222	54	41	39

Dimensions tolerance of upholstered furniture +/- 4 cm.

Construction of the furniture

SEAT

Main structure, frame:

beech wood frame

Additional construction elements:

chipboard, softwood

Springs:

Zig Zag spring B

foam:

T30 foam

LEGS

Black plastic fi50 h25mm

BACKREST

Main structure :

chipboard, softwood

Additional construction elements:

fiberboard, 7.5cm upholstery straps

Springs:

none

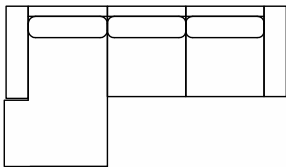
foam:

T25 + T30 foam

CUSHIONS

none

Left side



Right side

